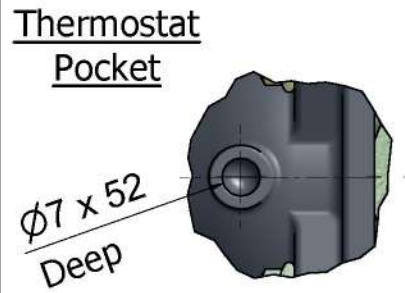
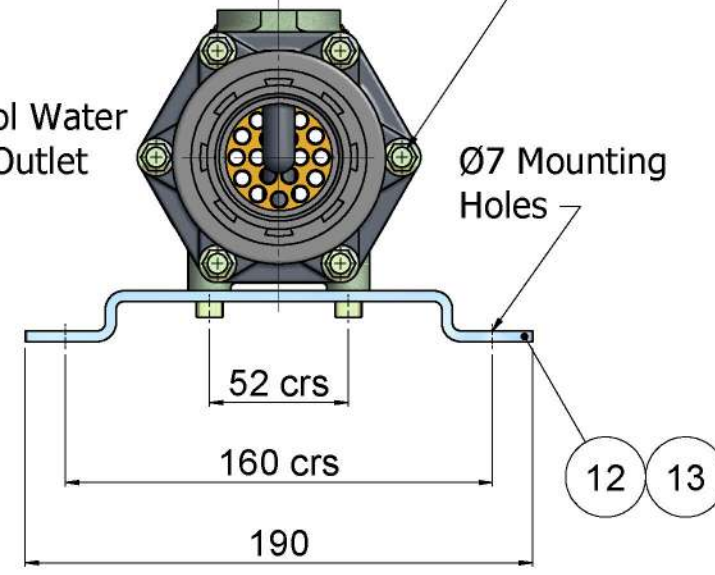
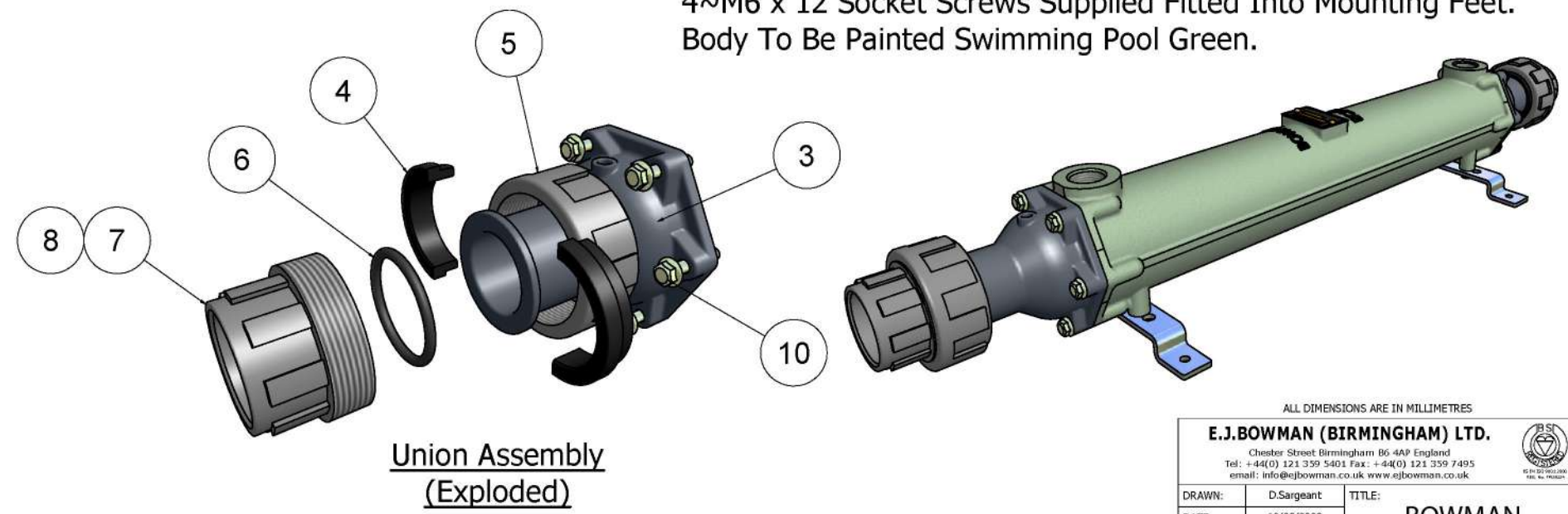


6~Flange Screws M6 x 30 Removal Of These Will Enable The End Covers And Tubestack To Be Removed.



**Notes:**  
 Item No's. 5, 6 7 And 8 Supplied Loose With Assembly.  
 4~M6 x 12 Socket Screws Supplied Fitted Into Mounting Feet.  
 Body To Be Painted Swimming Pool Green.

	M6 x 12	4	Socket Screws	13	MS
	4154	2	Mounting Feet	12	SS
	3594	1	Nameplate	11	Brass
	M6 x 30	12	Flange Screws	10	MS
	AN12	2	Seals	9	Nitrile
		2	Union Bush (BS)	8	GFN
	5134	2	Union Bush (Metric)	7	GFN
		2	Union Seals	6	EPDM
		2	Union Nuts	5	GFN
	4571	4	Split Rings	4	GFN
	4567	2	End Covers	3	GFN
	5088-5TN2P	1	Tubestack EC160	2	CN10
EC74	4568-5	1	Body EC160	1	CI
Part No.	Drg No.	Qty	Description	Item	Material



**Union Assembly (Exploded)**

ALL DIMENSIONS ARE IN MILLIMETRES

**E.J. BOWMAN (BIRMINGHAM) LTD.**  
 Chester Street Birmingham B6 4AP England  
 Tel: +44(0) 121 359 5401 Fax: +44(0) 121 359 7495  
 email: info@ejbowman.co.uk www.ejbowman.co.uk

DRAWN:	D.Sargeant	TITLE:	<b>BOWMAN Solar 70 Titan</b>	
DATE:	19/08/2008	DRG No:		<b>5113</b>
REDRAWN:				
DATE:				
CHECKED:				
SCALE:	1:1			