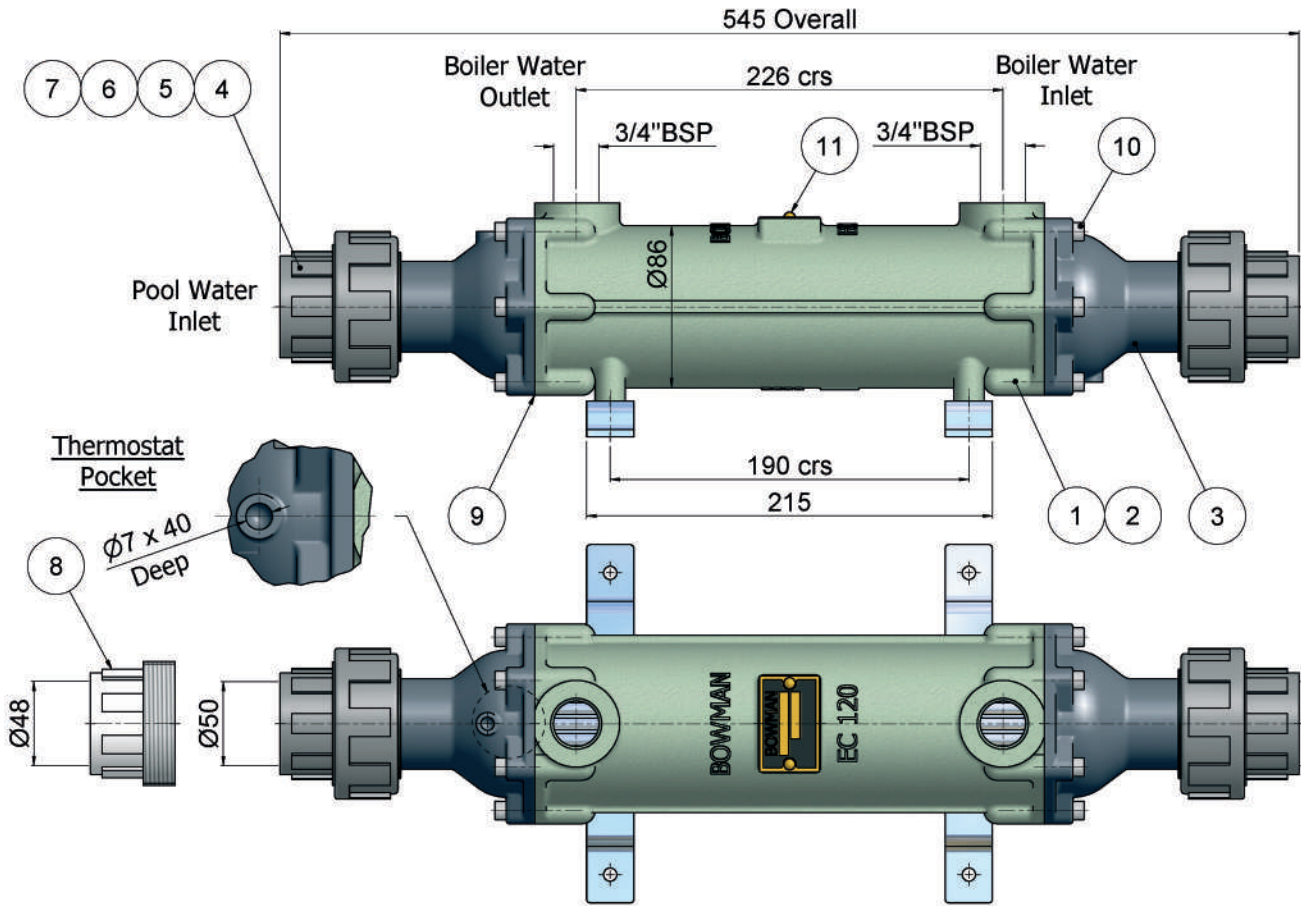
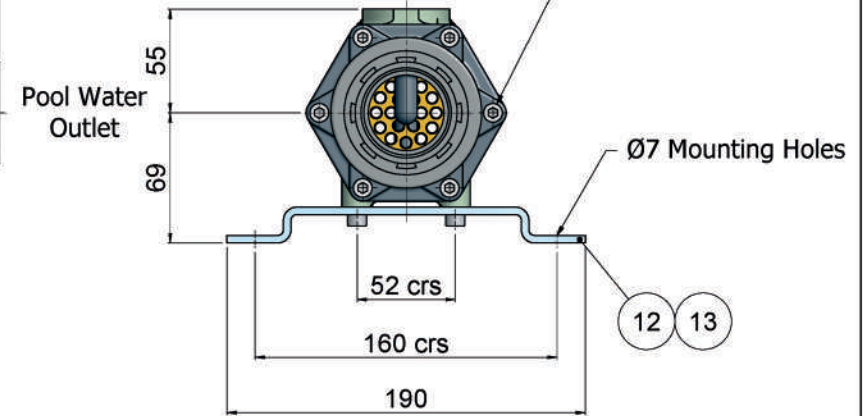


ISS No	MODIFICATION	DATE	SIGN
2	Body Part No EC71 Was Body Part No EC20, Bush Assembly Added	12/03/06	D.S.

THIS DRAWING IS STRICTLY PRIVATE AND CONFIDENTIAL AND IS THE SOLE PROPERTY OF E.J. BOWMAN (BIRMINGHAM) LTD. IT IS SUBJECT TO BOTH COPYRIGHT AND DESIGN RIGHT PROTECTION. ANY REPRODUCTION OF THIS DRAWING IN PART OR WHOLE SHALL BE MADE ONLY WITH THE WRITTEN CONSENT OF A DIRECTOR OF THE ABOVE COMPANY.

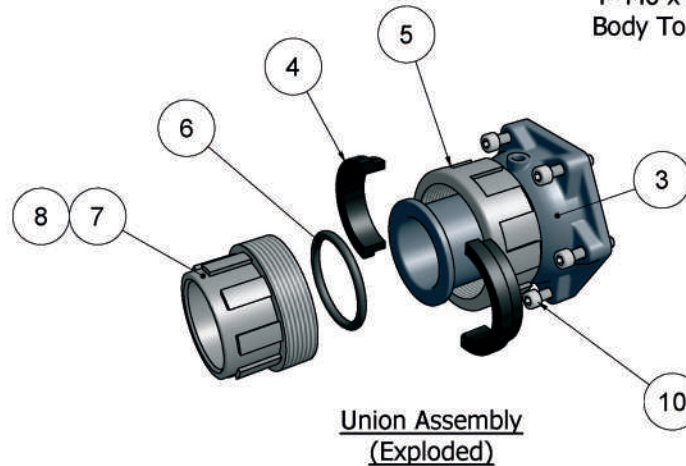


6~Socket Screws M6 x 30 Removal Of These Will Enable The End Covers And Tubestack To Be Removed.

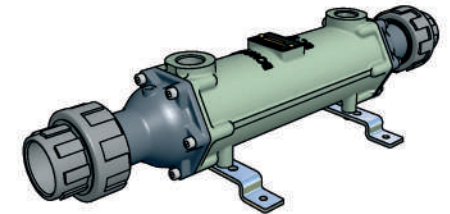


Notes:
Part No. 5130, 5131 & 4154 Supplied Loose With Assembly.
4~M6 x 12 Socket Screws Supplied Fitted Into Mounting Feet.
Body To Be Painted Swimming Pool Green.

	M6 x 12	4	Socket Screws	13	MS
	4154	2	Mounting Feet	12	SS
	3594	1	Nameplate	11	Brass
	M6 x 30	12	Socket Screws	10	MS
	AN12	2	Seals	9	Nitrile
		2	Union Bush (BS)	8	GFN
	5134	2	Union Bush (Metric)	7	GFN
		2	Union Seals	6	EPDM
		2	Union Nuts	5	GFN
	4571	4	Split Rings	4	GFN
	4567	2	End Covers	3	GFN
	5088-3TN2P	1	Tubestack EC120	2	CN10
EC71	4568-3	1	Body EC120	1	CI
Part No.	Drg No.	Qty	Description	Item	Material



Union Assembly (Exploded)



ALL DIMENSIONS ARE IN MILLIMETRES

E.J. BOWMAN (BIRMINGHAM) LTD.

Chester Street Birmingham B6 4AP England
Tel: +44(0) 121 350 5401 Fax: +44(0) 121 350 7495
email: info@bowman.co.uk www.ejbowman.co.uk

DRAWN: D.Sargeant
DATE: 06/12/2007
REDRAWN:
DATE:
CHECKED:
SCALE: 1:1

TITLE:
BOWMAN 60 TITAN
DRG No:
5113